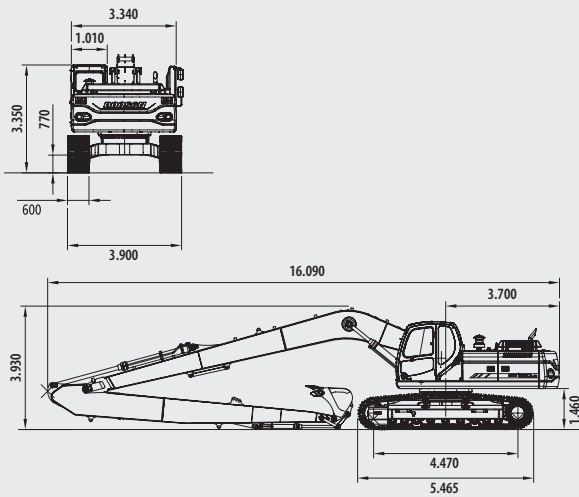


Dimensions & working range

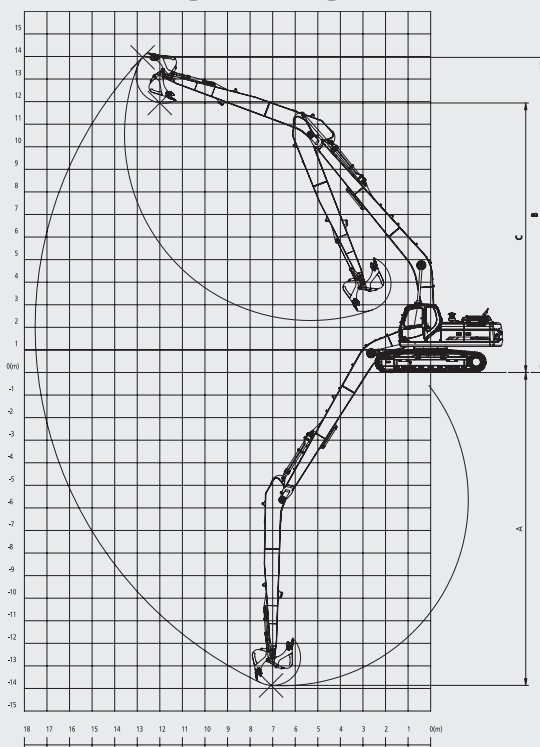
DX520LC SLR



Dimensions



Working Ranges



Operating weight			
	kg	50.200	50.800
Bucket			
Capacity SAE	m ³	1,27	0,93
Engine			
Model		DOOSAN DV11	
Displacement (Total dis. volume)	cc	10.964	
Rated power/R. P. M.	Hp/rpm	328/1.800	
	kW/rpm	245/1.800	
Front			
Boom	mm	9.000	11.000
Arm	mm	6.000	8.000
Dimensions			
Shipping height (Boom)	mm	3.770	3.930
Shipping length	mm	14.050	16.090
Shipping width	mm	3.340	3.340
Working Range			
(A) Max. digging depth	mm	11.800	15.130
(B) Max. digging height	mm	12.800	14.520
(D) Max. digging reach	mm	16.060	19.610
Rear-and swing radius	mm	6.470	6.210
Performance			
Max. digging force Bucket	kgf	20.300	15.200
* At power boost Arm	kgf	15.100	11.900
Traveling speed	km/h	5,0/3,1	
Swing speed	rpm	8,8	
Hydraulics			
Pump Type		Parallel, Axial Piston	
Max. flow rate	l/min	2.355	
Main relief set pressure	kg/cm ²	350 / 320	
Track			
Shoe width	mm	600	
Tumbler distance	mm	4.470	
Control			
Lever control type		Hydraulic pilot	
Lever pattern		SAE	
Tank			
Fuel tank	l	620	
Hydraulic tank	l	500	
Ground pressure			
	kg/m ²	0,85	0,87

DOOSAN Infracore Europe S.A.

1^a, rue Achille Degrâce
7080 Frameries, Belgium
Tel : +32-65-61 32 30 • Fax : +32-65-67 73 38

DOOSAN Infracore France

ZAC de la Clef Saint Pierre - Buroplus 2
1^a, avenue Jean d'Alembert
78990 Elancourt, France
Tel : +33-1-30 16 21 41 • Fax : +33-1-30 16 21 44

DOOSAN Infracore U.K., Ltd.

Doosan House, Unit 6, 3 Heol-Y-Gamlas, Parc Nantgarw,
Nantgarw, Cardiff CF15 7QU, U.K.
Tel : +44-1443-84-2273 • Fax : +44-1443-84-1933

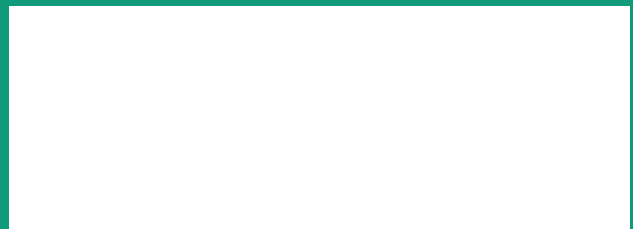
DOOSAN Infracore Europe S.A. Germany

Heinrich-von-Stephan-Str. 2
D-40764, Langenfeld, Germany
Tel : +49-2173-2035212 • Fax : +49-2173-2035219

Head Office

Doosan Tower 26th FL. 18-12, Euljiro-6Ga,
Jung-Gu, Seoul, Korea 100-730
Tel : +82-2-3389-8114 • Fax : +82-2-3389-8117

www.doosaneurope.com

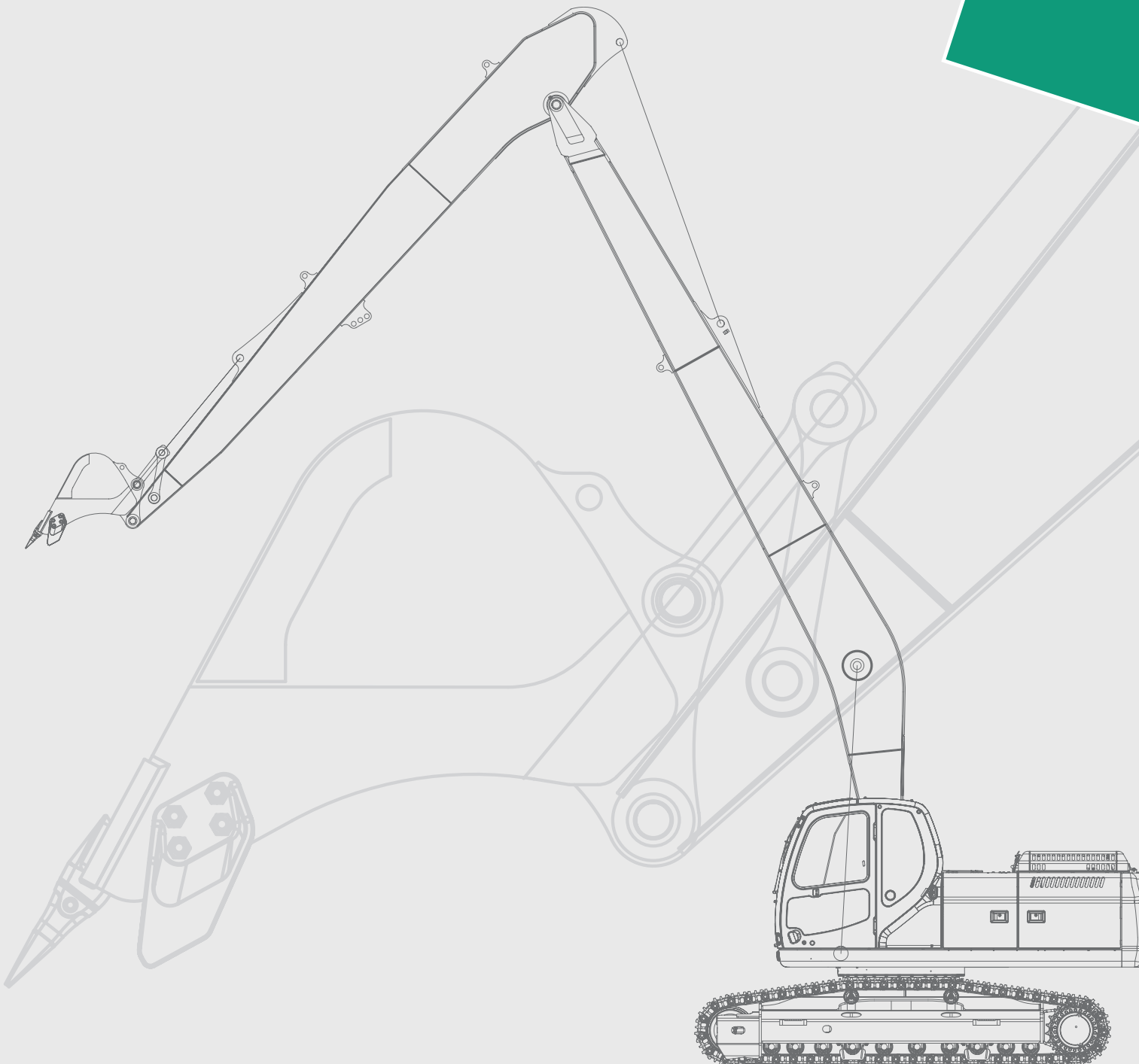




Doosan Infracore
Construction Equipment

DX225/255/300/520LC SLR

	DX225LC SLR	DX255LC SLR	DX300LC SLR	DX520LC SLR
Engine power:	110 kW / 148 Hp at 1.900 rpm	129 kW / 173 Hp at 1.900 rpm	147 kW / 197 Hp at 1.900 rpm	245 kW / 328 Hp at 1.800 rpm
Operational weight:	22.860 kg	27.250 kg	30.000 kg	50.200 ~ 50.800 kg
Bucket capacity (SAE):	0,39 m ³	0,50 m ³	0,64 m ³	0,93 ~ 1,27 m ³

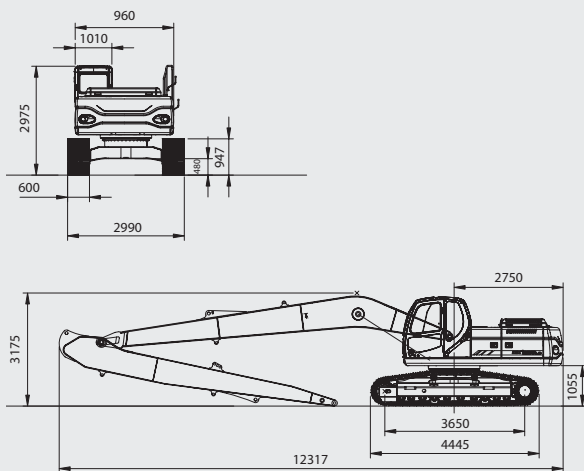


Dimensions & working range

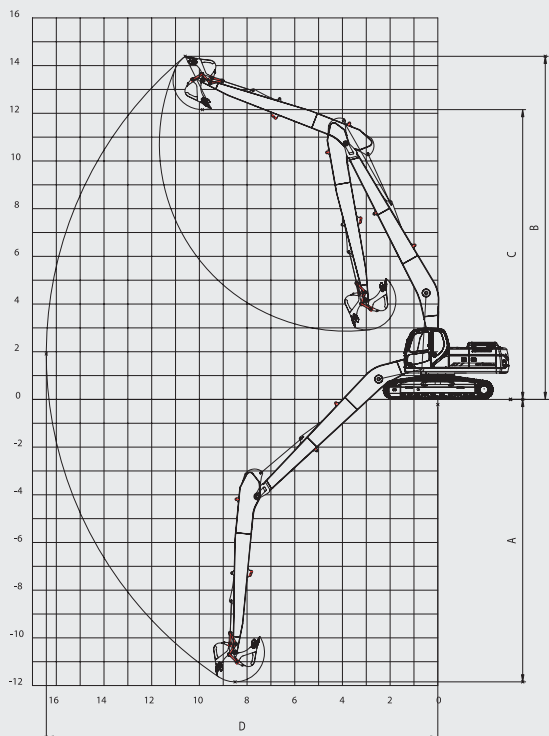
DX225LC SLR



Dimensions



Working Ranges



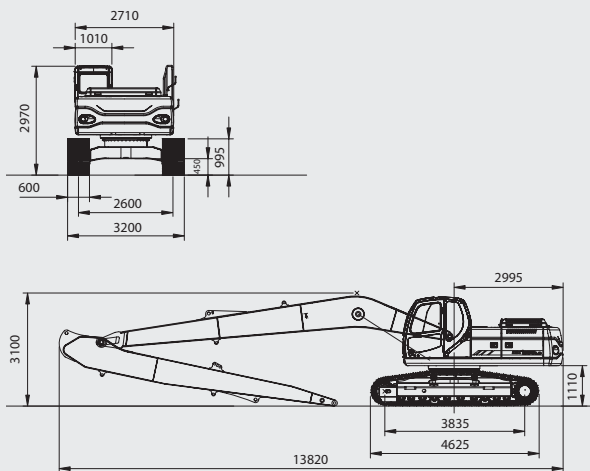
Operating weight	kg	22.860
Bucket		
Capacity SAE	m ³	0,39
Engine		
Model		DOOSAN DLo6
Displacement (Total dis. volume)	cc	5.890
Rated power/R. P. M.	Hp/rpm	148/1.900
	kW/rpm	110/1.900
Front		
Boom	mm	8.500
Arm	mm	6.200
Dimensions		
Shipping height (Boom)	mm	3.175
Shipping length	mm	12.317
Shipping width	mm	2.990
Working Range		
(A) Max. digging depth	mm	11.661
(B) Max. digging height	mm	13.403
(D) Max. digging reach	mm	15.379
Rear-and swing radius	mm	4.714
Performance		
Max. digging force Bucket	kgf	8.600
* At power boost Arm	kgf	5.890
Traveling speed	km/h	5,5/3,0
Swing speed	rpm	11
Hydraulics		
Pump Type		Variable, Axial Piston
Max. flow rate	l/min	2 x 211
Main relief set pressure	kg/cm ²	350 / 330
Track		
Shoe width	mm	600
Tumbler distance	mm	3.650
Control		
Lever control type		Hydraulic pilot
Lever pattern		ISO
Tank		
Fuel tank	l	400
Hydraulic tank	l	240
Ground pressure	kg/m ²	0,48

Dimensions & working range

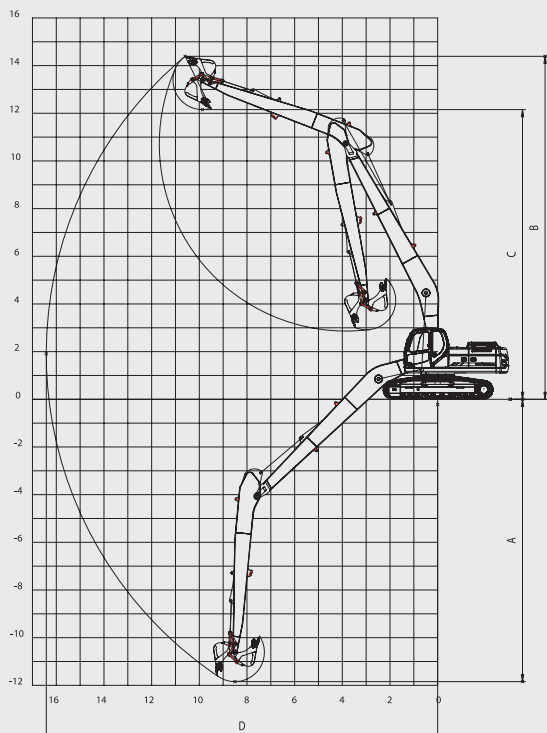
DX255LC SLR



Dimensions



Working Ranges



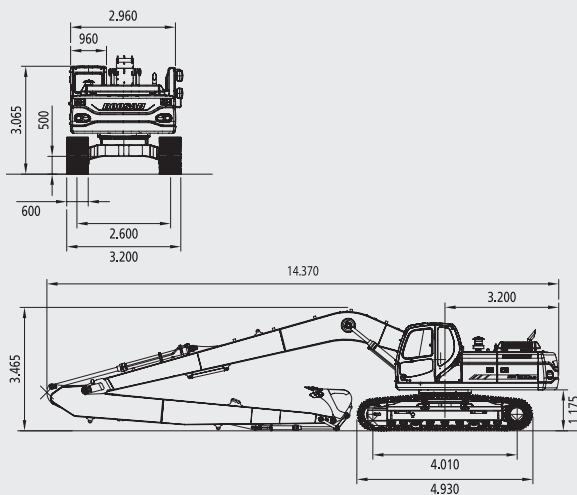
Operating weight	kg	27.250
Bucket		
Capacity SAE	m ³	0,50
Engine		
Model		DOOSAN DLo6
Displacement (Total dis. volume)	cc	5.890
Rated power/R. P. M.	Hp/rpm	173/1.900
	kW/rpm	129/1.900
Front		
Boom	mm	9.550
Arm	mm	6.600
Dimensions		
Shipping height (Boom)	mm	3.100
Shipping length	mm	13.820
Shipping width	mm	3.200
Working Range		
(A) Max. digging depth	mm	11.845
(B) Max. digging height	mm	12.154
(D) Max. digging reach	mm	16.420
Rear-and swing radius	mm	2.995
Performance		
Traveling speed	km/h	3,1/5,2
Swing speed	rpm	10,0
Hydraulics		
Pump Type		Variable, Axial Piston
Max. flow rate	l/min	2 x 219
Main relief set pressure	kg/cm ²	350 / 330
Track		
Shoe width	mm	600
Tumbler distance	mm	3.835
Control		
Lever control type		Hydraulic pilot
Lever pattern		ISO
Tank		
Fuel tank	l	410
Hydraulic tank	l	240
Ground pressure		
	kg/m ²	0,55

Dimensions & working range

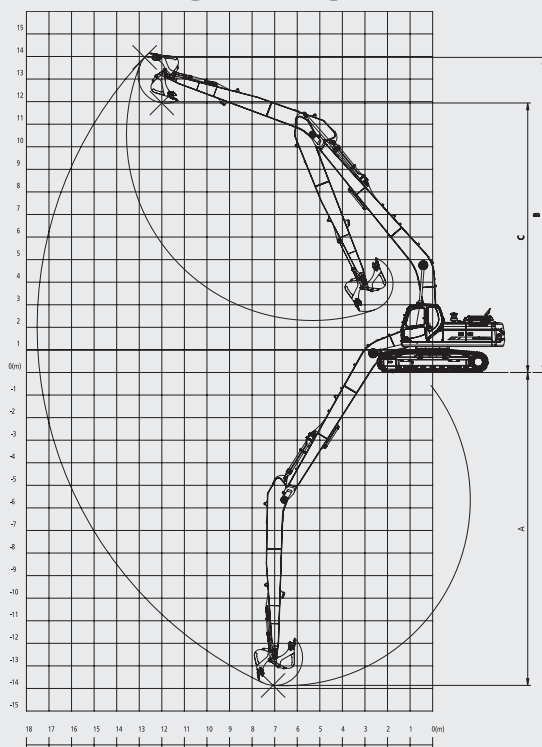
DX300LC SLR



Dimensions



Working Ranges



Operating weight	kg	30.000
Bucket		
Capacity SAE	m ³	0,64
Engine		
Model		DOOSAN DLo6
Displacement (Total dis. volume)	cc	7.640
Rated power/R. P. M.	Hp/rpm	197/1.900
	kW/rpm	147/1.900
Front		
Boom	mm	10.000
Arm	mm	7.000
Dimensions		
Shipping height (Boom)	mm	3.465
Shipping length	mm	14.370
Shipping width	mm	3.200
Working Range		
(A) Max. digging depth	mm	13.875
(B) Max. digging height	mm	14.155
(D) Max. digging reach	mm	17.520
Rear-and swing radius	mm	6.125
Performance		
Max. digging force Bucket	kgf	20.400*
* At power boost Arm	kgf	7.400*
Traveling speed	km/h	5,1/3,0
Swing speed	rpm	9,9
Hydraulics		
Pump Type		Tandem, Axial Piston
Max. flow rate	l/min	2 x 247
Main relief set pressure	kg/cm ²	350 / 330
Track		
Shoe width	mm	600
Tumbler distance	mm	4.010
Control		
Lever control type		Hydraulic pilot
Lever pattern		SAE
Tank		
Fuel tank	l	500
Hydraulic tank	l	280
Ground pressure	kg/m ²	0,57